

Rugged Tablet PC

SD-7K10RT



 SD-7K10RT



 SD-7K10RT



Front View

10.1' LCD

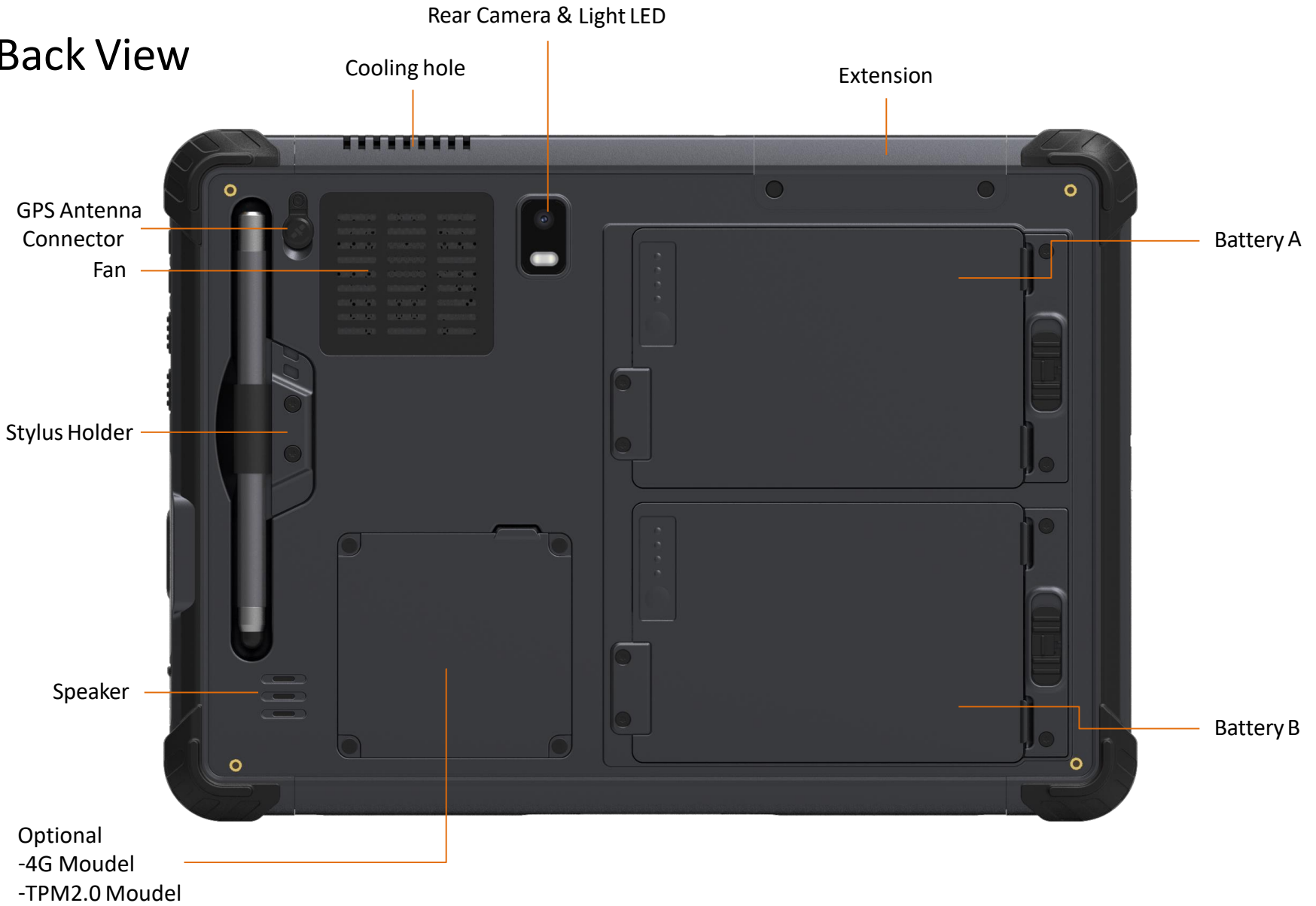
Front Camera

Light sensor

Indicator LED
-Power Status
-HDD
-Battery A
-Battery B



Back View



SD-7K10RT -I/O port



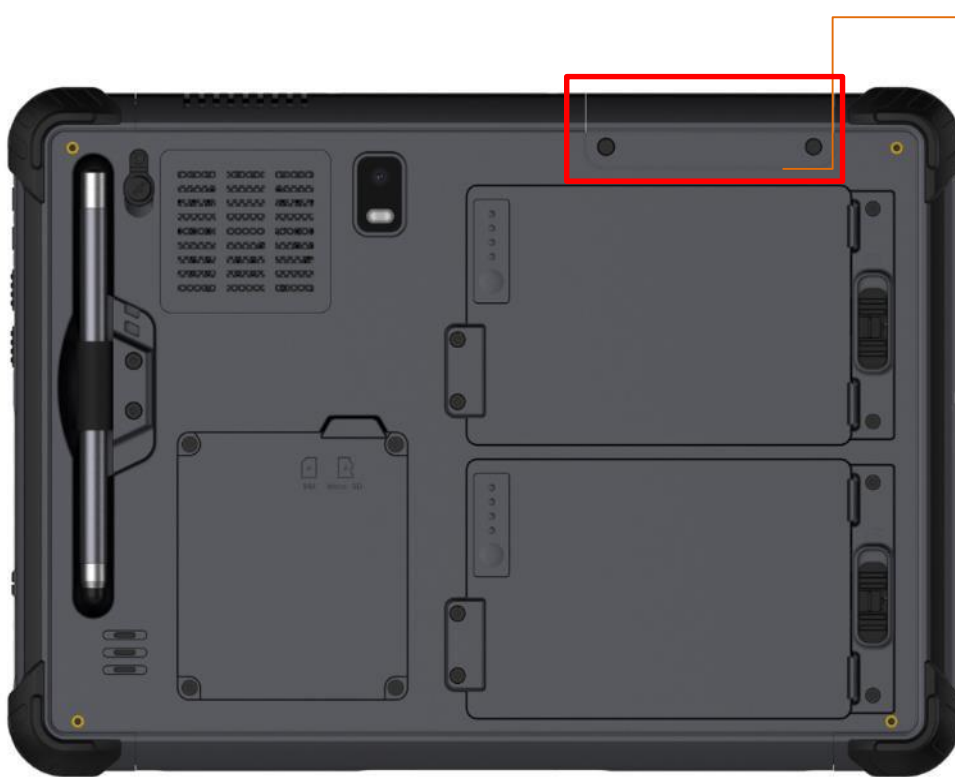
Product Specification—SD-7K10RT

CPU	<p>Intel Kaby lake i5-7300U</p> <p>Intel Kaby lake i7-7600U (Optional)</p>	IO	<p>1 x Micro HDMI</p> <p>1 x USB 3.0(Type A)</p> <p>1 x USB 3.0 (Type C)</p> <p>1 x Audio</p> <p>1 x DC jack1 x Micro SD Slot</p>
OS & Security	<p>Microsoft Windows 10</p> <p>TPM 2.0 (optional)</p>	Environment	<p>Operation: -20°C~+60°C</p> <p>Storage: -30°C~+70°C</p> <p>95% RH, non-condensing</p>
Display	<p>1920*1200 (WUXGA)</p> <p>Sunlight Readable, 800 Lumi (typical)</p> <p>10-point capacitive touch</p>	Interface	<p>35pin Docking pin,</p> <p>USB3.0*1,USB3.0 type C *1</p>
Memory Storage	<p>8GB (optional up to 16GB)</p> <p>256GB mSATA SSD (optional up to 512GB)</p>	Extension	<p>Optional: NFC, USB*2, RS232,RJ45,</p> <p>2D Barcode Reader</p>
Camera	<p>Rear: 8M, with AF /LED Flash</p> <p>Front: 2M Web Camera</p>	Mechanical and Environment	<p>Dimension 270x190X19mm</p> <p>Magnesium Chassis</p> <p>IP Rating IP67</p> <p>Drop 5 feet (1.5m)</p> <p>Shock MIL-STD-810G Method 516.6</p> <p>Vibration MIL-STD-810G Method 514.6</p> <p>MIL-STD 461F</p> <p>FCC, CE</p>
Wireless communication	<p>WIFI: 802.11a/b/g/n/ac (2.4G/5G)</p> <p>GNSS:uBlox NEO-M8N, Support GPS, GLONASS,QZSS, BD, Galileo</p> <p>Bluetooth: V5.0</p> <p>WWAN:4G/LTE module (Optional) NFC (Optional)</p>		
Battery	<p>11.4V 2900mAH x2 33*2=66Wh</p>	weight	1.15 kg

Expansion Port

Easy to open. Users can selection IO module or 2D barcode reader via this port.

Expansion modules



Default



USB2.0 x 2



RS232



RJ45



Barcode Reader

Office Dock



Charge LED



DC-IN

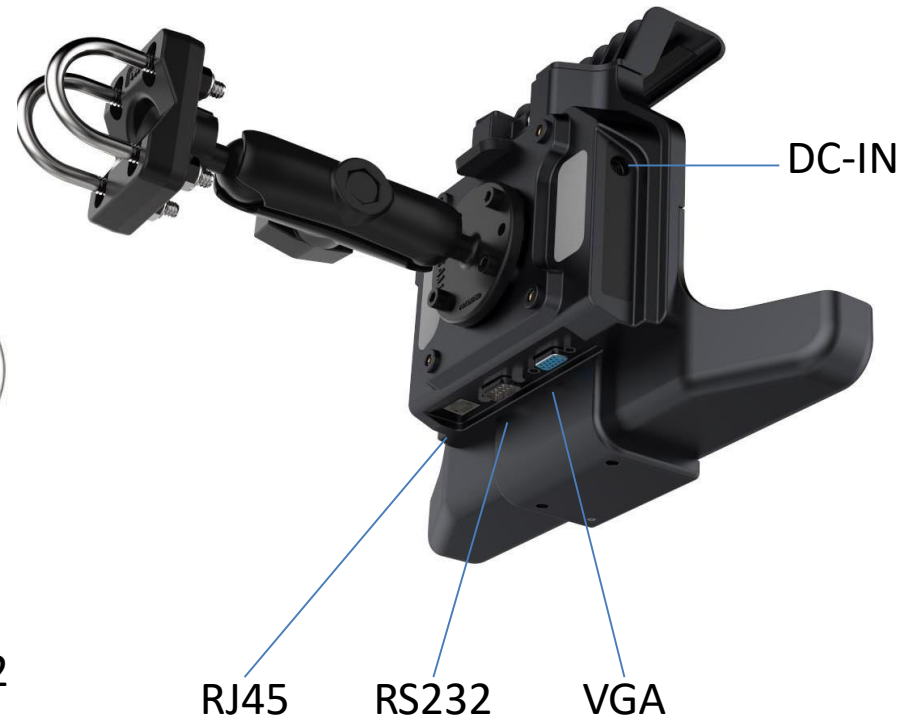
RJ45

VGA

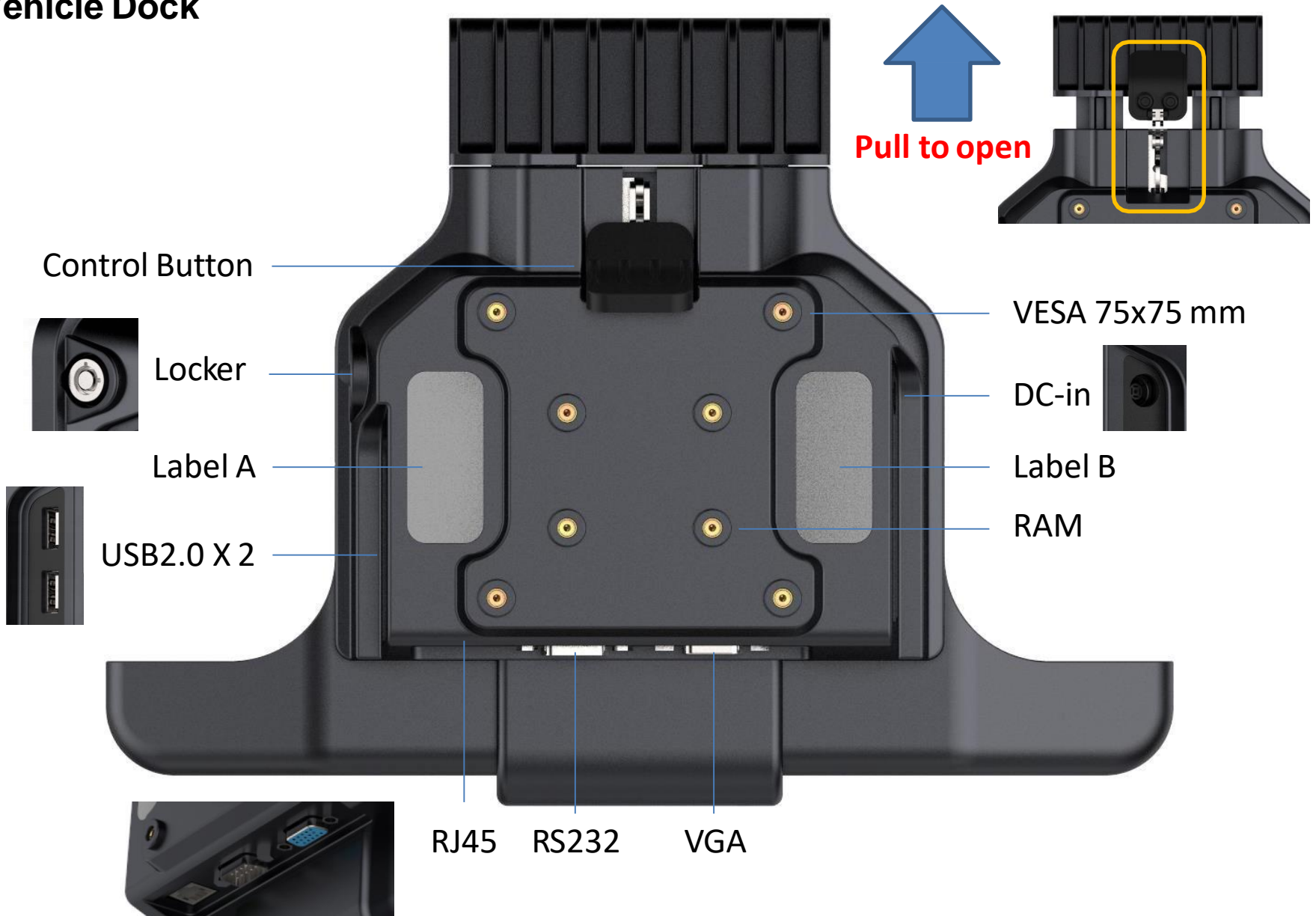
USB2.0 x2



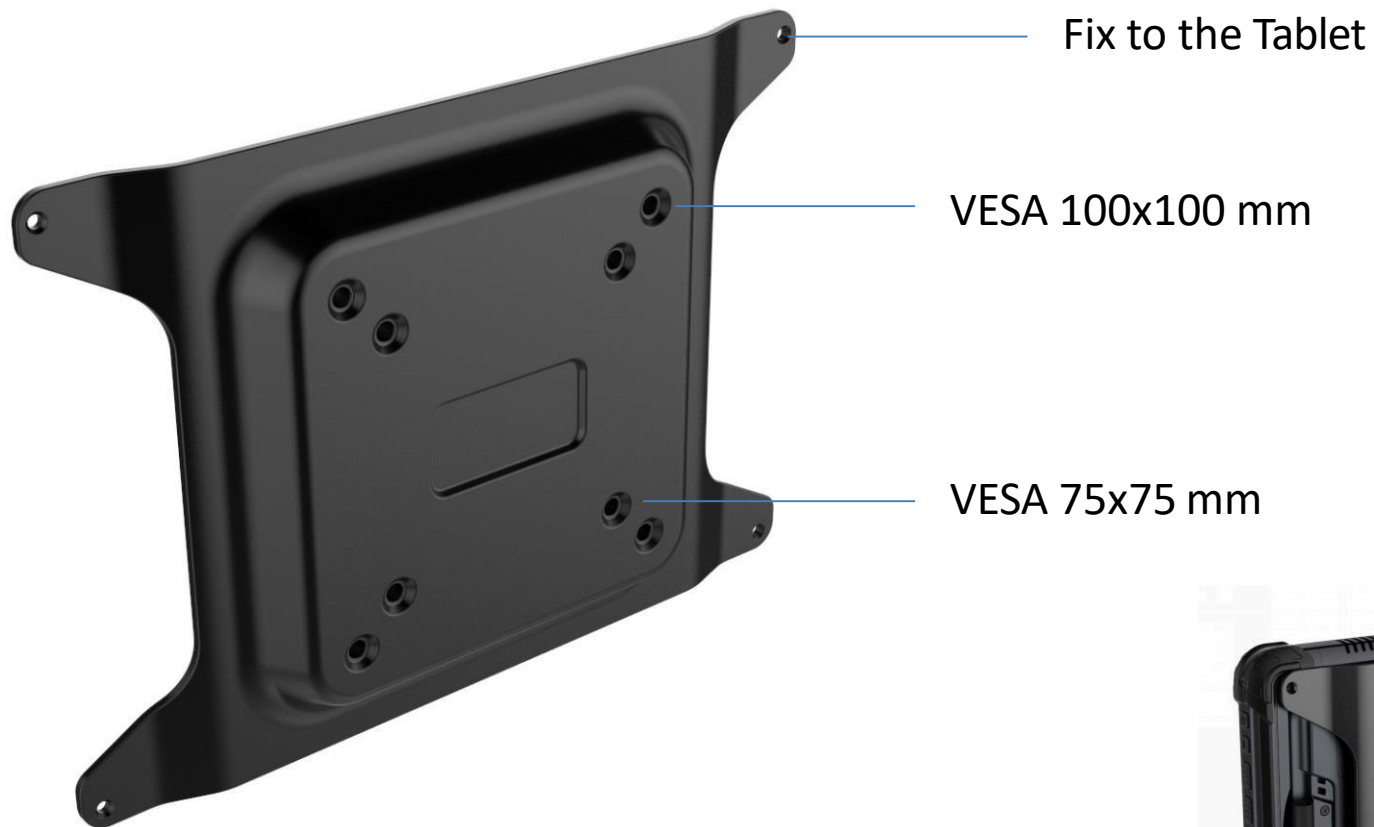
Vehicle Dock



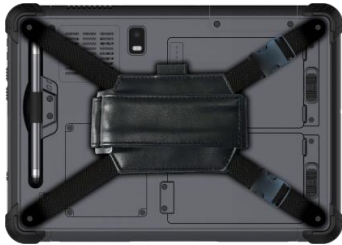
Vehicle Dock



VESA Mount



Handstrap



Shoulderstrap



Soft pen

